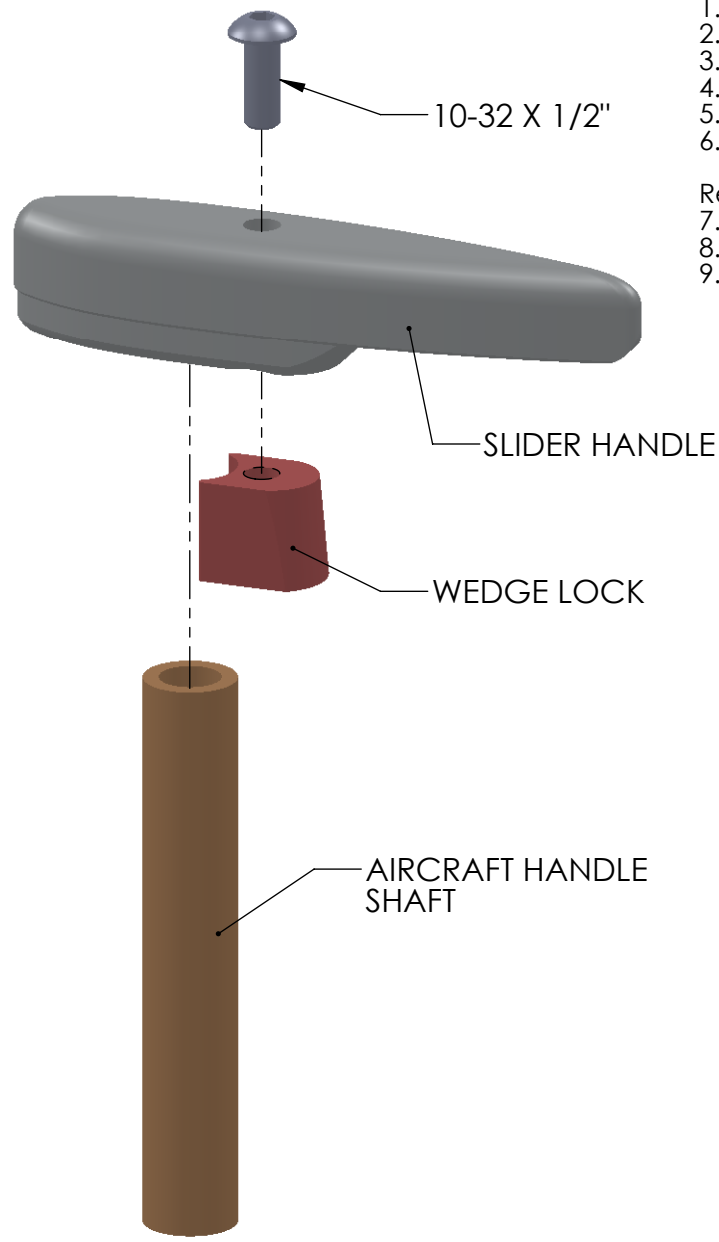


E
D
C
B
A



10-32 X 1/2"

SLIDER HANDLE

WEDGE LOCK

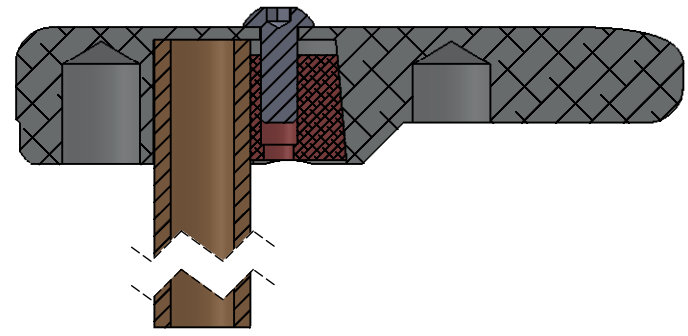
AIRCRAFT HANDLE
SHAFT

Installation

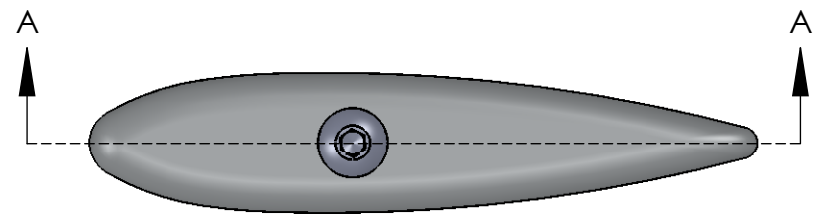
1. Insert wedgelock and bolt until the wedgelock is flush with bottom of handle.
2. Slide handle onto handle shaft and check there is no up/down movement.
3. Use included nylon washer if needed to remove up/down play.
4. Tighten bolt while holding handle straight.
5. Continue to tighten the bolt unit adequate holding is achived. (Don't over tighten)
6. Overtightening of the bolt will make removal difficult.

Removal

7. Losen bolt a few turns.
8. Tap bolt down with a hammer while suporting canopy handle on the inside of canopy.
9. Remove handle once wedgelock is loose.



SECTION A-A



E
D
C
B
A

UNLESS OTHERWISE SPECIFIED: DIMENSIONS ARE IN INCHES	SIZE	SLIDER HANDLE INSTALL	REV
	A	FILE NAME: WEDGE ASSY	
ASSEMBLY METHOD:	SCALE: 1:1	LAST SAVED DATE: 5/22/2012	SHEET 1 OF 1